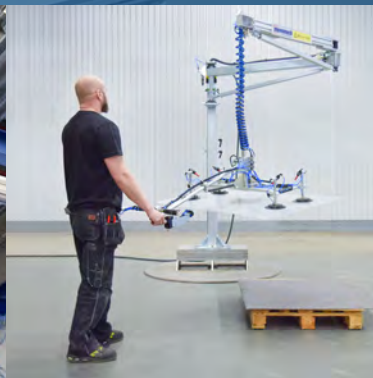




PRODUCTS AND SYSTEM SOLUTIONS  
**ERGONOMIC MATERIAL HANDLING**

MECHRAIL™ | MECHCRANE™ | MOBIARM™ | MECHLINE PRO CRANE™ | EASYCRANE™  
MECHLIFT PRO™ | MECHSTACK PRO™ | MECHSPACE PRO™ | MECHLINE PRO™  
MECHCHAIN PRO™ | MECHSTACK PRO™ | VACUHAND™ | EASYHAND™



# The right material handling solution lifts your work environment

Movomech's ergonomic material handling solutions contribute to healthier workplaces in industrial environments. By preventing musculoskeletal disorders, the chances for employees to thrive and for an efficient production increase.

## Productivity, ergonomics and safety

With solid industry experience and cutting-edge knowledge in lifting technology and production ergonomics, we continuously develop our products for safe, sustainable, and efficient material handling.



## Ergonomics is economical

Several international studies show that investing in ergonomic lifting equipment results in a more efficient production process, fewer work injuries, improved quality, and happier staff.



## MOVOMECH AB

Movomech AB develops and manufactures a wide range of lifting products – from a first-class crane system in aluminium to complete material handling solutions with advanced lifting manipulators and tailor-made gripping tools.

The Movomech companies' headquarters and manufacturing facilities are situated in Kristianstad in southern Sweden, with global representation through sales offices and distributors worldwide.

Movomech AB is certified according to ISO 9001 and ISO 14001. Minimal environmental impact is a key part of all manufacturing and forms part of the strategic work.

# LIFTING SOLUTIONS FOR YOUR INDUSTRY

Movomech's ergonomic lifting manipulators and gripper tools for professional material handling streamline production processes and improve the working environment in many industries. Here are some examples of how.

More handling solutions can be found at: [www.movomech.com/lifting-equipment](http://www.movomech.com/lifting-equipment)



## SHEETS AND PANELS

*The handling of flat panels, such as glass, metal sheeting, doors, and plastic and wooden boarding, is one of the most common lifting tasks performed in workplaces around the world on a daily basis.*



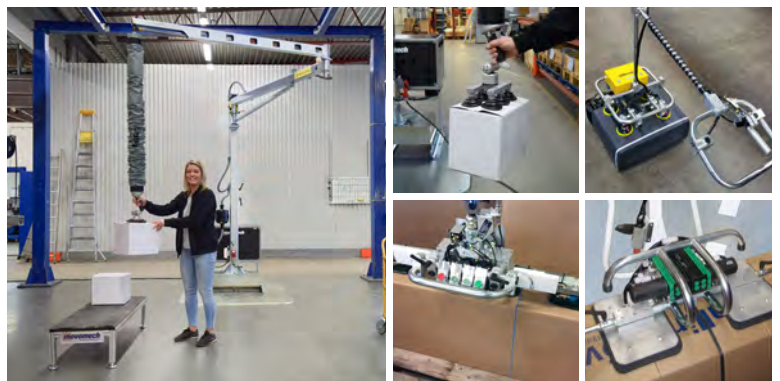
## GLASS AND WINDOWS

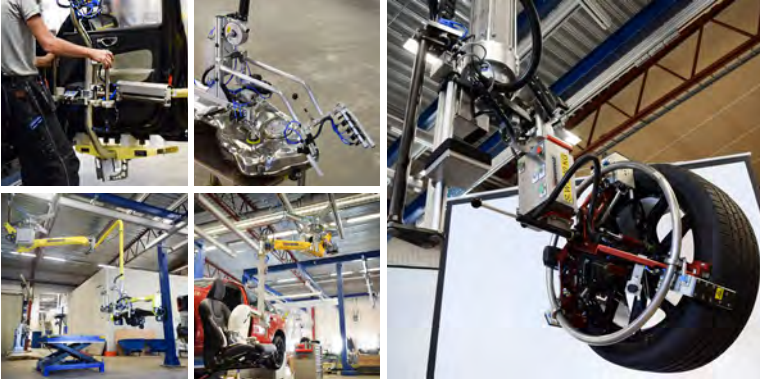
*Movomech's lifting equipment for glass and window handling enables personnel to safely lift, tilt and rotate panes of glass or entire windows while maintaining good ergonomic postures during assembly work. The object is lifted safely and ergonomically using a specially designed gripper and is not damaged in any way.*



## BOXES AND CARTONS

*The lifting of boxes and cartons is a common activity in industry, an activity that can tire personnel and cause aches and pains if carried out for long periods, with a large degree of repetitiveness, in unfavourable positions or with heavy loads.*





### AUTOMOTIVE PARTS

Manual lifting equipment for the automotive industry is characterized by the industry's high demands on safety, ergonomics, accessibility and quality. Such equipment is often adapted to the production of different model variants on the same production line, which means less conversion time and lower investment costs.



### APPLIANCES

In production processes that entail lifting appliances and furniture during assembly or packing, this can be a daunting task as the products are both bulky and heavy.

Appropriate lifting aids are a prerequisite for safe and efficient material handling.



### SACKS AND BAGS

Sack lifting is frequently an ergonomic challenge. Not only are sacks often heavy and comprised of hard-to-grasp material, their shape and firmness can vary and the centre of gravity can shift during handling, which increases the physical strain on personnel.



### MISCELLANEOUS

Movomech has extensive experience of developing customized lifting units and designing tailor-made support equipment, including stands, roller tables and fixtures. Standard modules and lifting devices from other manufacturers are also offered as a complement to our own lifting equipment.

# MOVOMECH® JIB CRANES

Movomech's range of ergonomic jib cranes comprises a complete series of wall and pillar-mounted jib cranes, as well as complete lifting units with integrated lifting devices – balance lifters, chain hoists or vacuum lifters.

Several of the jib cranes can be supplied with a mobile platform, for easy repositioning to different workstations.



## MECHCRANE™

Wall-mounted jib cranes LVS AVS  
0-250 kg

*The crane arm is equipped with a sturdy and extremely easy-rolling aluminium trolley, fitted with high-quality wheel bearings for ergonomic material handling that is both quiet and smooth.*

*Mechcrane™ wall-mounted jib cranes LVS/AVS are offered in any length of 0.5 m multiples.*



## MECHCRANE™

Pillar-mounted jib cranes LPS APS  
0-250 kg

*Movomech's pillar-mounted jib cranes are equipped with rigid pillars in painted steel and jib arms made from strong and light aluminium profiles from the Mechrail™ crane system range.*



## MECHCRANE™

Articulated jib cranes VKL VKA  
0-200 kg

*Mechcrane™ articulated jib cranes VKL/VKA offer you maximum reach in your work area with minimal movement resistance. The two articulated crane arms are rotated via roller bearings of the highest quality for light and ergonomic material handling.*





**MECHCRANE™**

Articulated jib cranes with hoist VKL-H/VKA-H  
0-125 kg

*The Mechcrane™ articulated jib crane VKL-H/VKA-H combines the best of two worlds: an easily operated ergonomic articulated jib crane with a frequency-controlled Mechchain Pro II™ chain hoist fully integrated into the outer crane arm.*



**MOBIARM™**

Mobile articulated jib crane  
0-125 kg

*MobiArm™ is an ergonomic articulated jib crane that can be adapted to each individual workplace, with a reach of up to 4 meters, and a height-adjustable floor pillar. Add a mobile platform and you can easily move MobiArm™ between different workstations – a simple manual pallet truck will suffice!*



**MECHLINE PRO CRANE™**

Mobile articulated jib crane with balancer  
0-50 kg

*Mechline Pro Crane™ – by combining the smoothness of the Mechline Pro™ balance lifter with the versatility of an articulated jib crane, we have created a flexible lifting solution for many different industries.*



**EASYCRANE™**

Mobile articulated jib crane with vacuum lifter  
5-45 kg

*Easycrane™ is an intuitive and easy-to-use lifting device for quick and easy lifting. Easycrane™ consists of a flexible articulated jib crane with a vacuum lifter integrated in the outer jib arm.*

# MECHRAIL™ CRANE SYSTEM

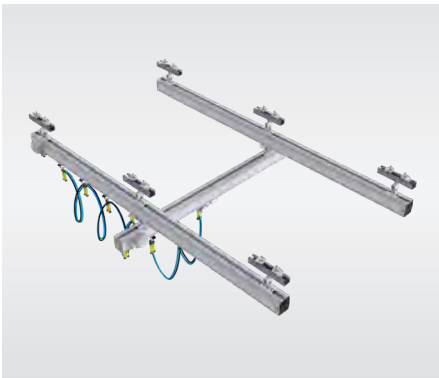
Mechrail™ is a professional aluminium crane system that improves the working environment at world-leading automotive manufacturers, as well as at mechanical workshops and industrial companies in most sectors.

The aluminium profiles in the Mechrail™ system have been designed for maximum strength and torsional rigidity combined with a very low tare weight, making Mechrail™ a very easy-to-use and ergonomic crane system. The starting force and the rolling resistance experienced by the operator during handling are among the absolute lowest on the market.

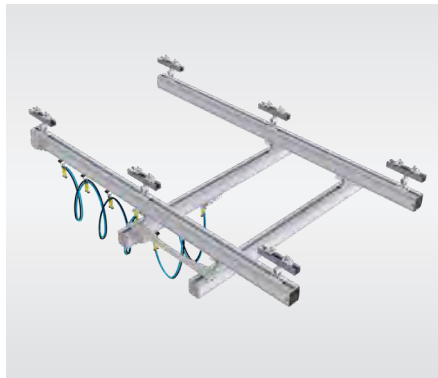


## Design for optimal ergonomics and extreme longevity

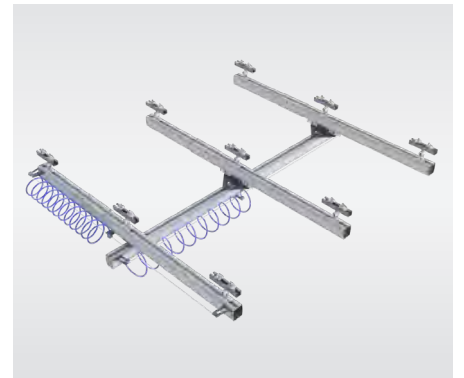
The trolleys in the Mechrail™ range have a high strength aluminium frame and are equipped with extremely easy-rolling plastic wheels with premium quality bearings.



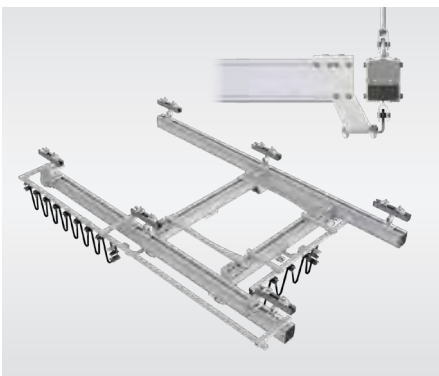
Single crane



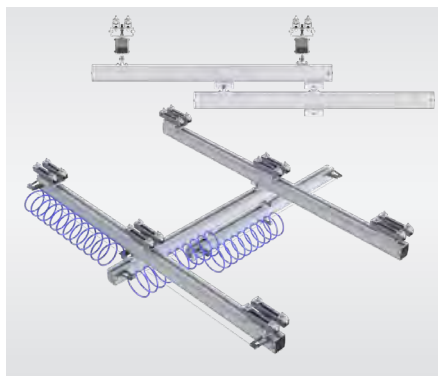
Double crane



Tripple track



Space saving modules for low ceilings



Telescopic cranes maximise the reach



External electrical power rails for flexibility



”The Mechrail™ aluminium crane system is designed to meet the market’s strictest requirements for accessibility, safety and handling ergonomics.”

### **A professional range of accessories**

The Mechrail™ aluminium crane system is developed in close collaboration with operators, fitters and maintenance personnel. This ensures that our range of accessories is fully adapted to market requirements and requests. The range of accessories includes service hatches, pneumatic and electric parking brakes, a variety of travel limiters, position sensors, build-up modules, special trolleys, and much more.

# MOVOMECH® INDUSTRIAL MANIPULATORS

Movomech has developed and manufactured lifting manipulators under its own brands and in its own production facilities in Kristianstad for over 30 years.

All lifting manipulators are inspected before delivery with thorough quality checks and tests to ensure that the final product complies with current regulations and is of a high standard.



## MECHLIFT PRO™

Electric industrial manipulator  
0-650 kg | 0-1500 Nm

*Mechlift Pro™ is an extremely versatile moment absorbing lifting unit that is easily adapted to many types of handling solutions. It can be fitted with standard or custom gripper tools, as well as with accessories such as rotation units, brake units, and programmable stop positions.*



## MECHSTACK PRO™

Electric stapler  
0-650 kg | 0-4000 Nm

*As standard, this industrial manipulator has a working stroke length of up to almost 5 metres. It is controlled and steered with a joystick via a frequency converter, providing a continuously variable and synchronous lifting speed. The simplex driving chains, connecting the drive axle with the trolleys, are well-protected inside the aluminium profiles.*



## MECHLIFT PRO™

Pneumatic industrial manipulator  
0-150 kg | 0-1000 Nm

*Pneumatic Mechlift Pro™ is a versatile pneumatic moment-absorbing industrial manipulator suitable for many types of lifting for loads of up to 150 kg. A pneumatic gripping tool and control units are easily integrated with the tool adapter.*





**MECHSPACE PRO™**

Pneumatic industrial manipulator  
0-150 kg | 0-1500 Nm

*Mechspace Pro™ is available in two versions: suspended or pillar-mounted. Its moment-absorbing capacity offers great advantages when handling items with complex geometries, as well as for gripping and rotating of eccentric loads.*



**MECHLIGHT PRO™**

Pneumatic balancer  
0-50 kg

*The Mechlight Pro™ is an ergonomic and functional lightweight lifter for loads of up to 50 kg. The lifter allows free rotation around its lifting axis – a great advantage in assembly work where hoses and accessories otherwise risk being damaged.*



**MECHLINE PRO™**

Pneumatic wire balancer  
0-50 kg

*Mechline Pro™ is an intuitive and easy-to-operate pneumatic wire balancer for light loads of up to 50 kg. The lifting wire is extremely durable and can be used for up to 300,000 work cycles.*



**BESPOKE MANIPULATORS**

Custom manipulators  
0-1500 kg

*Movomech's standard range includes most types of industrial manipulators. However, there are also situations in which the type of lifting manipulator best suited to the task is not part of our standard range. In such cases, we use our experience and renowned ingenuity to develop a brand-new, bespoke manipulator.*

# MOVOMECH® CHAIN HOISTS

Electric chain hoists are smooth-operating lifting devices suitable for many industries.

Back in 1995, Movomech was among the first companies to develop a frequency-controlled chain hoist for professional lifting, the Mechchain™. This type of chain hoist performs best in handling with strict demands on ergonomics, feel and precision.



## MECHCHAIN PRO II™

High-precision hoist  
0-225 kg

*A high-precision hoist whose main strength is the combination of good control and high precision. In addition to this, the lifter has an impressive lifting speed of up to 16 m/min. Frequency control provides a continuously variable lifting speed controlled by the joystick.*



*For high availability even in challenging environments, Mechchain Pro II™ has been equipped with a control unit in aluminium with a quick connector for the control cable.*

*A selection of optional standard control unit brackets are also available for easy installation on gripper tools or vacuum yokes.*



## MOVOMECH® VACUUM LIFTERS

Movomech vacuum lifters streamline material handling and allow you to lift and move loads efficiently, gently and ergonomically.

With the right lifting device, different materials such as wood, glass, stone, metal, cardboard, paper and plastic can be lifted safely and gently with a vacuum without leaving marks on the surface.



### EASYHAND T™

Vacuum lifter  
5-45 kg

*Easyhand T™ is an easy-to-operate and very quick vacuum lifter with single-hand grip. The lifter can be smoothly and accurately manoeuvred with either the left or right hand, and the load can easily be rotated and positioned.*



### EASYHAND M™

Vacuum lifter  
5-55 kg

*Easyhand M™ is a flexible vacuum lifter with a modular design for loads of up to 55 kg. It brings ease and convenience to the handling of everything from sacks and cardboard boxes to sheet materials such as glass, sheet metal and doors.*



### VACUHAND V™

Vacuum lifter  
5-200 kg

*Vacuhand V™ is manoeuvred with a handle for two-handed operation and enables the easy and efficient handling of sacks, cardboard boxes and sheet material.*

*When it comes to handling sacks, Vacuhand V™ is a given choice thanks to the lifter's high capacity and great adaptability.*

# MOVOMECH® GRIPPER TOOLS

Movomech has over 30 years of experience of developing and manufacturing premium-quality ergonomic gripper tools for most industries.

Productivity, ergonomics and safety are always our core focus and we strive to find the optimal handling solution for each need.



## MECHANICAL GRIPPER TOOLS

Bespoke gripper tools

*Mechanical gripper tools are a common accessory for many types of lifting equipment and an economical and flexible solution for gripping and lifting many different types of objects.*



## PNEUMATIC GRIPPER TOOLS

Bespoke gripper tools

*Pneumatic gripper tools are a safe, economical and flexible solution for gripping and lifting many different types of objects.*

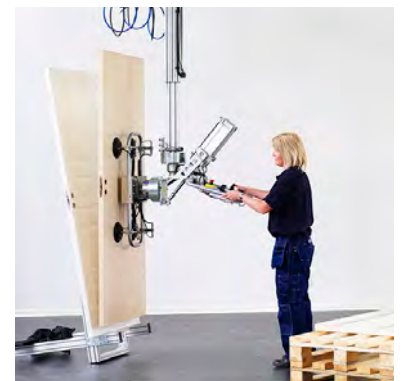
*The items being handled can include everything from vehicle components and mechanical parts to rollers, drawers, furniture, food packaging and more.*



## VACUUM GRIPPER TOOLS

Bespoke gripper tools

*Suction cups and vacuum yokes are convenient handling solutions for gripping and lifting many different types of objects. Without leaving marks on the surface, the object is lifted using one or more suction cups and can then be turned and rotated as desired.*





**MAGNETIC GRIPPER TOOLS**

Bespoke gripper tools

*Magnetic gripper tools are often the ideal solution when handling ferromagnetic workpieces in confined spaces. With magnetic gripping tools, workpieces in different designs can be handled without the tool's contact surfaces having to be precisely matched to the contours of the workpiece.*



**PANEL GRIPPER TOOL**

Standard gripper tools

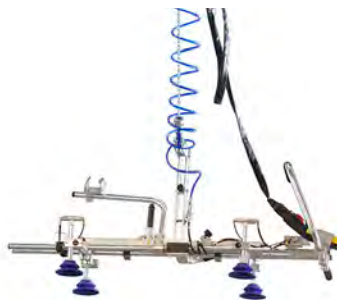
*Movomech's modular panel lifting tool facilitates the lifting of panels, cartons and board material in many different trades and industries. The panel handling tool concept has a generous number of accessories and configuration options – making it perfectly adapted to each unique workstation.*



**GLASS HANDLING AGR**

Standard gripper tools

*In addition to reducing the risk of occupational injuries and sick leave, AGR equipment increases efficiency and flexibility at the workplace in that windscreen replacement becomes a job for one rather than two fitters.*



**ROLL HANDLING GRIPPER TOOLS**

Standard gripper tools

*Fully mechanical gripper tools that do not require electricity, pneumatics or hydraulics.*

*All roller tools have an auto-locking function – the heavier the load, the stronger the gripping teeth lock the roll, which provides safe and secure handling!*



## WORLD-CLASS LIFTING SOLUTIONS

Movomech products and systems are used in many industries and in many countries. Here is a sample of customers who have chosen the Movomech companies as partners in order to improve the efficiency of their production processes.



### AUTOMOTIVE

Audi | Autoliv | BMW | DAF | DaimlerChrysler | Faurecia | Ford | General Motors | Jaguar | Johnson Controls | Lear Corporation | MAN | Mercedes Benz | Nissan | Renault | Opel | Peugeot | Porsche | Scania | Tower Automotive | Volkswagen | Volvo AB | Volvo Cars

### LINE BUILDERS

ABB | Comau | Dürr | KUKA | Lear Corporation | Magna | ThyssenKrupp | TMS | VDL Steelweld

### GENERAL INDUSTRY

ABB | Airbus | Alfa Laval | Arla | Arvin Meritor | Atlas Copco Secoroc | Atlas Copco Tools | Astra Zeneca | Ballingslöv | BT Industries | Cardo | Carglass | Carlsberg Sverige | Daloc | Danfoss | Dooria | DynaMate | Dynapac | Electrolux | European Furniture Group | Finja | GGP Sweden | Gustavsberg | Husqvarna | IFÖ | Kilsgaard | Kinnarps | Orresta | Outokumpu | Pilkington | Randek BauTech | Saab AB | Schenk | SKF | Statoil | Swedoor | Tarkett | Westinghouse



Movomech AB +46 (0)44 28 29 00

[www.movomech.com](http://www.movomech.com)